

# OPENGATE®

## HIGHEST THROUGHPUT WEAPONS DETECTION OF PEOPLE WITH BACKPACKS, PURSES, AND BAGS



**CEIA USA's OPENGATE® technology** ensures unmatched detection capabilities and versatility with high-throughput metal/weapons detection, providing a quick and more secure entry for students and visitors without delays.



### MAIN FEATURES



#### VERSATILE & PORTABLE

Can be fixed or portable in applications. Only weighs 25lbs. OPENGATE has an IP66 protection rating and is designed to be used outdoors or indoors.



#### FASTER SCREENING

Extremely high throughput, allowing students and visitors to pass through quickly without removing their backpacks or bags.



#### UP & RUNNING IN 1 MINUTE

Unbox, turn on, and start screening.



#### MINIMAL TRAINING REQUIRED

No installation. Easy to setup and simple to screen students & visitors.



#### FREE TELEPHONE 24/7/365 SUPPORT

Benefit from continuous support, ensuring your device remains functional without the need for ongoing maintenance.



#### COST-EFFECTIVE OWNERSHIP

Own your OPENGATE® system and avoid costly annual subscription fees that can exceed \$50,000 with traditional SaaS models.



k12.ceia-usa.com

KEEPING SCHOOLS SECURE



**OPENGATE** is designed to address the unique security challenges faced by educational institutions, providing a **seamless, efficient, and reliable security screening solution.**



## GENERAL DESCRIPTION

- ✓ **INCREDIBLY VERSATILE** - The detection setting range and portability of the OPENGATE put it in a class all its own – it’s an incredibly versatile security tool that can quickly and easily be changed to meet the security need for the moment, providing a significantly higher return on investment than traditional walk-through metal or any other weapons detector in the world.
- ✓ **EASY TO OPERATE** - Features clear GO/NO GO signaling and requires minimal training for school and security staff, making it easy to maintain more secure access points.
- ✓ **STANDARDS-BASED PERFORMANCE** - Meets recognized international and federal detection security standards ensuring the highest level of protection across all applications.
- ✓ **MULTI-CALIBER WEAPONS DETECTION** - Capable of detecting a wide range of metallic threats, from single-shot micro-pistols to high-caliber assault weapons and everything in between, enabling schools and districts to detect exactly what their threat environment warrants, to help ensure student and staff safety.
- ✓ **HIGHEST THROUGHPUT** - Provides rapid screening of individuals with the lowest possible nuisance alarms, allowing for seamless passage with bags, backpacks, and purses, helping students quickly enter the building and get to class on time.
- ✓ **HIGHLY PORTABLE** - Weighing only 25 lbs and running on rechargeable batteries, OPENGATE can be set up in less than one minute anywhere without the need for technical assistance, allowing for quick adjustments to school security setups.
- ✓ **ADVANCED POWER SUPPLY OPTIONS** - Can be powered by lithium-ion rechargeable batteries or a standard wall outlet, providing flexibility for various school settings.
- ✓ **REAL-TIME STATUS AND ALARM INDICATIONS** - Acoustic and optical signals located at the top of the pillars provide immediate alerts to operators without any delay, helping staff know exactly who was alerted.
- ✓ **360° VISUAL ALARM INDICATION** - The specialty top cap ensures alarm visibility from significant distances, even in direct sunlight, making it ideal for monitoring during busy school hours.



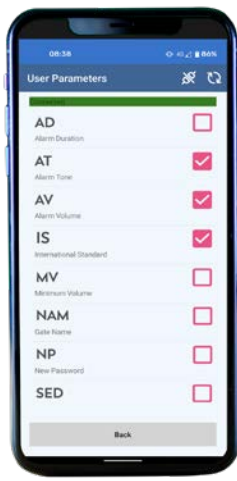
Detection and signaling parameters can be easily set via the **OPENGATE App**, designed for smartphones or tablets based on Android or iOS operating systems.



**OPENGATE** supports the **NetID Anywhere** software for complete access and management of device settings, users, and more.

## OPENGATE® APP

- ✓ OPERATIVE SCREEN
- ✓ USER PARAMETERS



## MAIN COMPONENTS



- 360° VISUAL ALARM INDICATION



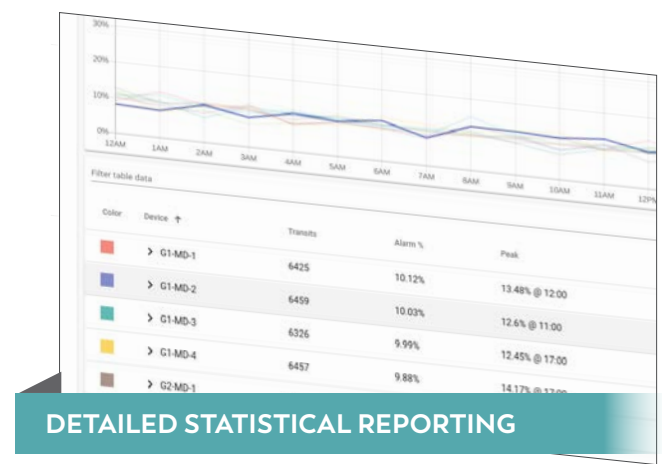
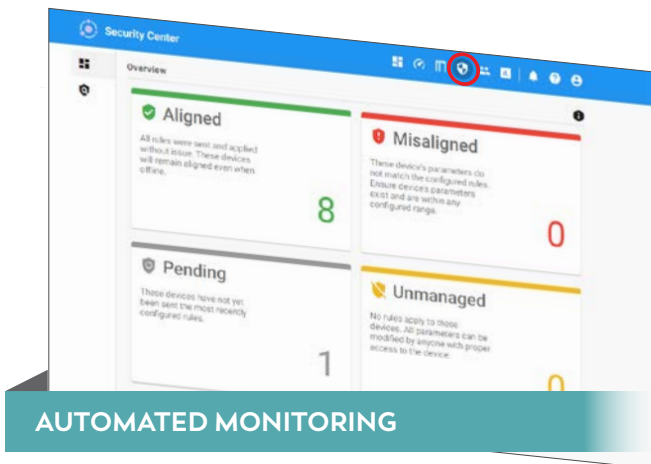
- CARRYING HANDLE



- A ON/OFF SWITCH
- B BATTERY COMPARTMENT (2x)
- C ADJUSTMENT FEET

## NetID Anywhere®

- ✓ **NetID Anywhere is a cloud-based network management system** that simplifies the management of CEIA USA's walk-through metal detectors (WTMD) and OPENGATE systems. It offers easy access to important statistics, automates monitoring of critical calibration settings, and much more
- ✓ **Designed for simple and easy implementation with limited infrastructure**, NetID Anywhere provides remote management from anywhere, supports multiple school/sites, and is accessible from any smart device or computer with web access

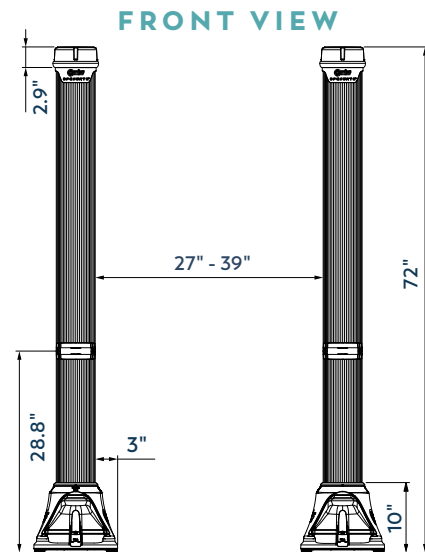




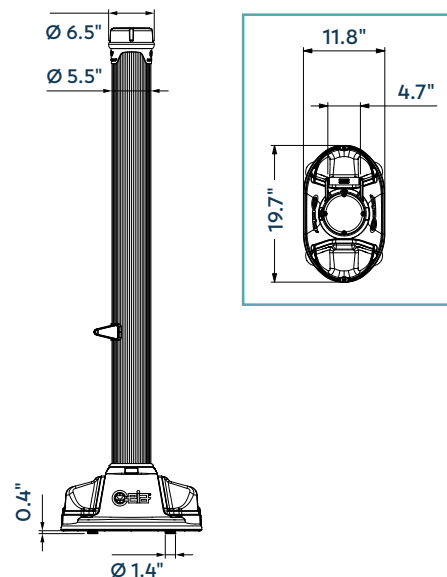
## SPECIFICATIONS

<b>GENERAL FEATURES</b>	Detection of multi-caliber weapons		
	Extremely high throughput		
	Quick setup, immediate use		
	No external mechanical or electrical connections		
	Fields of application: all places open to the public characterized by large crowds where it is necessary to carry out a security inspection of the individuals with backpacks, purses, and bags		
Operational useful passage width: 27" - 39"			
<b>POWER SUPPLY</b>	<b>Batteries</b>	18V - 12Ah Li-ion batteries	
	<b>Operating time (4 batteries)</b>	Up to 16 hrs (with operational battery management)	
	<b>Dual Bay Simultaneous Rapid Battery Charger</b>	Input Voltage	120-127 V
		Charging Time (2 batteries)	130 min
		Dimensions	10.8" x 7.2" x 3.6"
	Weight	3.5 lbs	
<b>ALARM INDICATION</b>	<b>Visual</b> Indicator lights displayed at the top of the column	<b>GREEN:</b> OK, Ready	
		<b>RED:</b> Alarm, Self-diagnosis	
		<b>BLUE:</b> Wireless connection	
		<b>YELLOW:</b> Battery level indication	
	<b>Audio</b>	Internal buzzer	
<b>PROGRAMMING</b>	Available through the CEIA OPENGATE free App - iOS or Android		
<b>WEIGHT</b>	<b>Main column</b>	Including batteries	33.5 lbs
		Without batteries	26.5 lbs
	<b>Secondary column</b>	Including batteries	30 lbs
		Without batteries	23 lbs
<b>CERTIFICATES AND COMPLIANCE</b>	Compliant with applicable regulations on human exposure to electromagnetic fields and safety for pacemaker wearers		
	Compliant with EU regulations and international standards for Electrical Safety and Electromagnetic Compatibility (EMC)		
	Harmless to magnetic media		
<b>ENVIRONMENTAL CONDITIONS</b>	<b>Operating temperature</b>	OPENGATE	-0.4°F to 122°F
		Battery charger and battery being charged	40°F to 105°F
	<b>Storage temperature</b>	-34°F to 122°F	
	<b>Relative humidity</b>	0 to 95%, without condensation	
	<b>Altitude</b>	Up to 9,800 ft	
	<b>Installation category:</b> II (IEC61010-1)		
	<b>Pollution rating:</b> 2 (IEC61010-1)		
	<b>Maximum emitted magnetic field strength:</b> < 40 db uA/m @ 10 m		

## DIMENSIONS



### SIDE VIEW TOP VIEW



## ACCESSORIES

### AVAILABLE THROUGH CEIA USA

<b>Base Plates</b>	# 109444BU
<b>Base Plates with Support Arms</b>	# 129771U
<b>Support Arms</b>	# OPENGATE_ARMU
<b>BRU Wireless Relay Unit</b>	# BRU
<b>NetID Anywhere® PREMIUM</b>	# SWLIC-Y



CEIA USA Ltd - 6336 Hudson Crossing Parkway, Hudson OH 44236

P 330-405 3190 • F 330-405 3196 • E security@ceia-usa.com • CALL (833) 224-2342 (CEIA)

k12.ceia-usa.com

CEIA USA reserves the right to make changes, at any moment and without notice, to the models (including programming), their accessories and options, to the prices and conditions of sale - DP060K0099v4000uUS - 2025