

NEW
RELEASE

OPENGATE®

HIGHEST THROUGHPUT
WEAPONS DETECTION
OF PEOPLE WITH BACKPACKS,
PURSES, AND BAGS



MAIN FEATURES

- **MULTI-CALIBER WEAPONS DETECTION**
- **HIGHEST THROUGHPUT** with lower than ever nuisance alarms **NEW**
- Specialized **SHOE SCREENING CAPABILITY** **NEW**
- **NO DIVESTING REQUIRED** with backpacks, purses and bags
- **HIGHLY PORTABLE** - Weighs only **25** pounds
- **QUICK TO SETUP AND INSTALL** Requires less than 1 minute — simply set up, switch on and go
- **LTE & WI-FI CONNECTIVITY** with optional asset tracking **NEW**
- **VERSATILE USE** Indoor or outdoor use with no overhead cover required
- **EASY TO OPERATE** Clear GO/NO GO signaling and operation requires limited training
- Built-in new **ASTM F3566-22** Standard Security Levels **NEW**
- **STANDARDS-BASED PERFORMANCE** Meets recognized international and federal security standards



www.ceia-usa.com



Threat Detection through Electromagnetics

OPENGATE is a **groundbreaking weapons detection system** designed for faster screening of people with their backpacks, purses and bags, etc. **for the detection of a large variety/number of metal threats, such as high caliber assault weapons.**

OPENGATE is **extremely versatile** and can be used at a variety of entrances or security checkpoint locations, either indoors or outdoors.

GENERAL DESCRIPTION

- ✓ **OPENGATE is the first and only fully open, active walk-through detection system**, composed of two freestanding pillars
- ✓ Contrary to metal detector gates, **OPENGATE does not require any mechanical or electrical connection** between the two pillars that define the passageway
- ✓ **Acoustic and optical signals**, located at the top of the pillars, provide **status and alarm indications**



TRANSIT WITH NO ALARM



TRANSIT WITH ALARM



SHOE ALARM INDICATION

- ✓ **OPENGATE is the most portable, elegant, easy to position and ready to use weapons detection system.** No installation, adjustment or assembly procedures
- ✓ **Proprietary arch-free structure and operation solution**
- ✓ **Specialty top cap** allows for alarm visibility even in direct sunlight
- ✓ **OPENGATE power supply options** include either lithium ion batteries and/or standard wall outlet (110v)

FEATURE HIGHLIGHTS

DETECTION TARGET

Multi-caliber weapons and IEDs



OPERATIONAL USE

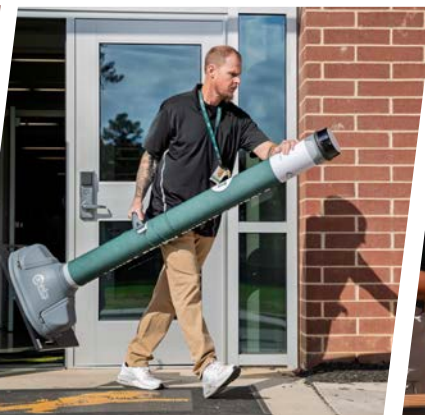
- ▶ Faster screening of people in transit with bags, backpacks, and purses
- ▶ Extremely high throughput
- ▶ Integrated high-precision transit counter

APPLICATIONS

- ▶ Stadiums / Arenas / Ballparks
- ▶ Theme parks / Museums / Theaters
- ▶ Hospitals
- ▶ Convention centers
- ▶ Schools / Colleges / Universities
- ▶ Transportation hubs
- ▶ In general, all places open to the public characterized by the need to screen large crowds

EASY TO RELOCATE AND QUICK TO INSTALL

Only 25 pounds with less than 1 minute setup time, it does not require adjustments or the assembly of mechanical and electrical parts



Detection and signaling parameters can be easily set via the **OPENGATE App**, designed for smartphones or tablets based on Android™ or iOS® operating systems.

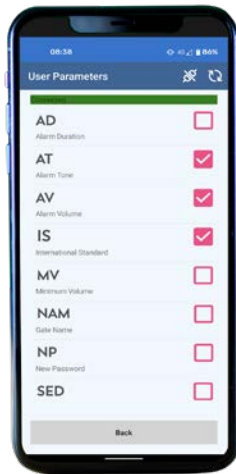
OPENGATE supports the **NetID Anywhere** software for complete access and management of device settings, users, and more.



OPENGATE® APP



- ✓ OPERATIVE SCREEN
- ✓ USER PARAMETERS



MAIN COMPONENTS



- 360° VISUAL ALARM INDICATION



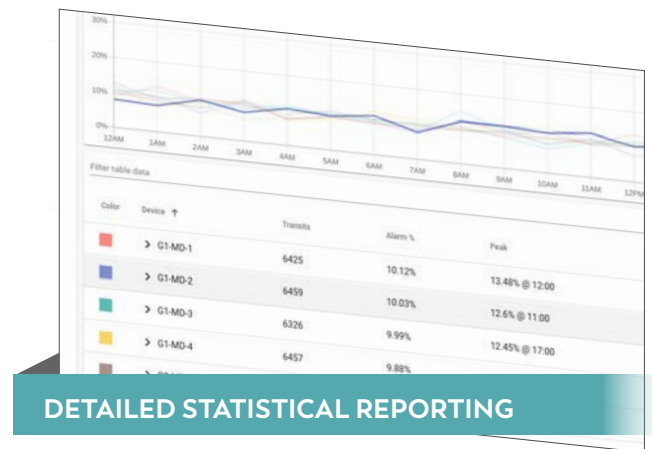
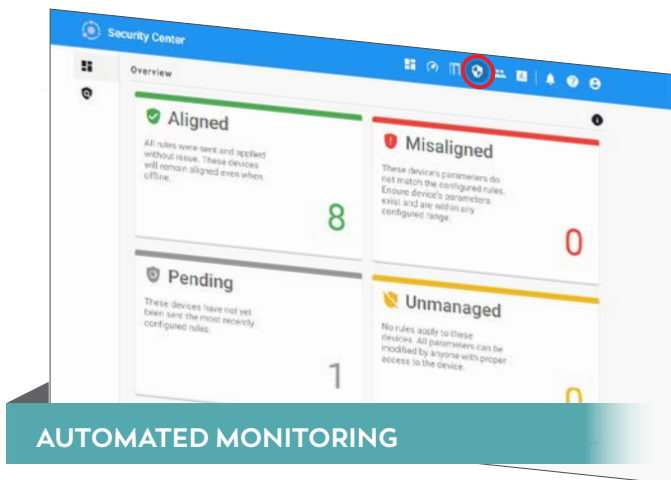
- CARRYING HANDLE



- A ON/OFF SWITCH
- B BATTERY COMPARTMENT (2x)
- C ADJUSTMENT FEET

NetID Anywhere®

- ✓ **NetID Anywhere is a cloud-based network management solution** for OPENGATE weapons detection system and CEIA walk-through metal detectors (WTMD) that centralizes access to important statistics, automates monitoring of critical calibration settings, and much more
- ✓ **Designed for simple and easy implementation with limited infrastructure**, NetID Anywhere allows for individual or multiple site management and is accessible from any smart device or computer with web access



SPECIFICATIONS

GENERAL FEATURES

Multi-caliber weapons detection
Highest throughput with lower than ever nuisance alarms
Specialized shoe screening capability
No external mechanical or electrical connections
Quick to setup and install: less than 1 minute
LTE & WI-FI connectivity with optional asset tracking
Built-in new ASTM F3566-22 Standard Security Levels
Operational useful passage width: 27" - 39"

POWER SUPPLY

Batteries	CEIA Li-ion batteries	18.15 V - 15 Ah
Operating time (4 batteries)	Up to 20 hours (with operational battery management)	
CEIA Li-Ion Dual Bay Battery Charger	Input Voltage	100 - 240 V
	Charging Time (2 batteries)	5 hours max
	Dimensions	10.6" x 7.5" x 7"
	Weight	4.6 lbs

ALARM INDICATION

Visual Indicator lights displayed at the top of the column	GREEN: OK, Ready
	RED: Alarm, Self-diagnosis
	BLUE: Wireless connection
	YELLOW: Shoe alarm indication Battery level indication
Audio	Internal buzzer

PROGRAMMING

Available through the CEIA OPENGATE free App - iOS or Android

WEIGHT

Main column	Including batteries	33.5 lbs
	Without batteries	26.5 lbs
Secondary column	Including batteries	30 lbs
	Without batteries	23 lbs

CERTIFICATES AND COMPLIANCE

Compliant with the applicable electromagnetic Standards on Human Exposure and pacemaker safety

Compliant with the applicable International Standards for electrical safety and EMC

Harmless to magnetic media

ENVIRONMENTAL CONDITIONS

Operating temperature	OPENGATE	-0.4°F to 122°F
	Charging temperature	40°F to 105°F
Storage temperature	-34°F to 158°F	
Relative humidity	0 to 95%, without condensation	
Altitude	Up to 9,800 ft	
Installation category:	II (IEC61010-1)	
Pollution rating:	2 (IEC61010-1)	
Maximum emitted magnetic field strength:	< 40 db uA/m @ 10 m	

OPENGATE®

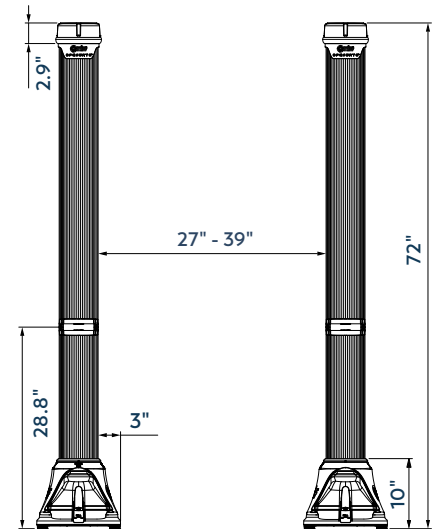
Ordering code: **108961-LTE-WIFI**

OPENGATE® UPGRADE KIT

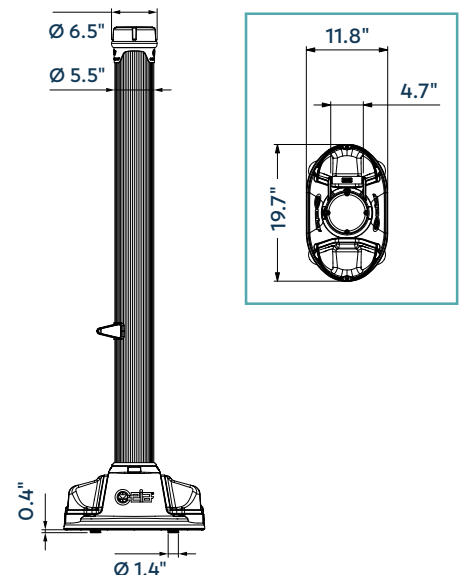
From cod. 108960-LTE to cod. 108961-LTE-WIFI: **Ordering code: 145316**

DIMENSIONS

FRONT VIEW



SIDE VIEW TOP VIEW



ACCESSORIES

AVAILABLE THROUGH CEIA USA

Base Plates	# 109444BU4
Base Plates with Support Arms	# 129771U
Support Arms	# OPENGATE_ARMU
BRU Wireless Relay Unit	# BRU
NetID Anywhere® PREMIUM	# SWLIC-Y



CEIA USA Ltd - 6336 Hudson Crossing Parkway, Hudson OH 44236

P 330-405 3190 • F 330-405 3196 • E security@ceia-usa.com • CALL (833) 224-2342 (CEIA)

www.ceia-usa.com

CEIA USA reserves the right to make changes, at any moment and without notice, to the models (including programming), their accessories and options, to the prices and conditions of sale - DPO60K0096v7002uUS - 2025